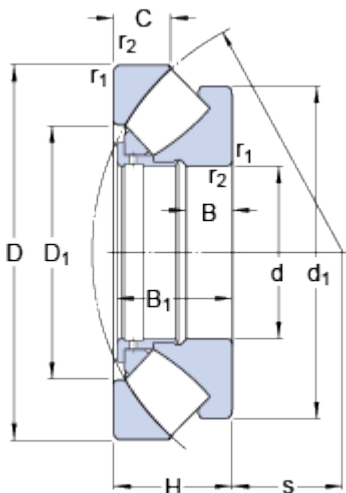


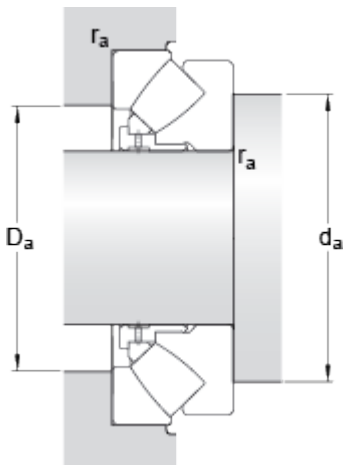
29272 E

Dimensions



d	360	mm
D	500	mm
H	85	mm
d_1	≈ 485	mm
D_1	≈ 423	mm
B	25	mm
B_1	81	mm
C	44	mm
s	195	mm
$r_{1,2}$	min. 4	mm

Abutment dimensions



d_a	min. 430	mm
D_a	max. 453	mm
r_a	max. 3	mm

Calculation data

Basic dynamic load rating	C	1460	kN
Basic static load rating	C_0	6800	kN
Fatigue load limit	P_u	585	kN
Reference speed		750	r/min
Limiting speed		1200	r/min
Minimum axial load factor	A	4.4	

Mass

Mass bearing		52	kg
--------------	--	----	----